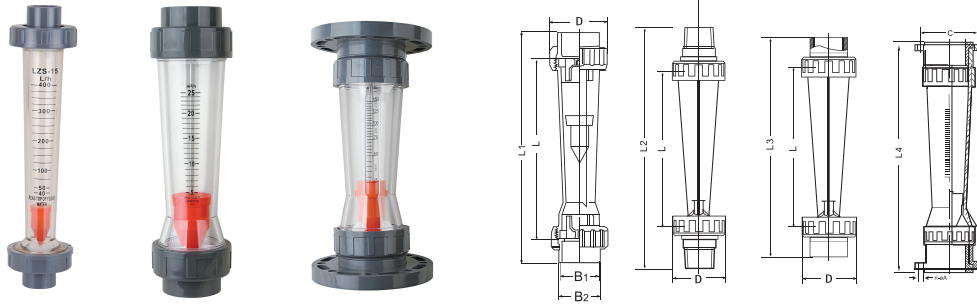


# The Series LZS Plastic Rotameter

Made of engineering plastics with corrosion resistance, lightweight, and low cost.



The Series LZS Plastic Rotameter is a variable area flowmeter. Its core structure consists of a vertically installed conical plastic tube and a rotor (float) that can float up and down inside the tube. When fluid flows through the pipe, the rotor is suspended by the combined forces of hydrodynamic force and its own gravity. The greater the fluid flow rate, the higher the rotor rises, allowing the flow value to be read directly from the rotor's position. With advantages such as corrosion resistance, simple structure, and low cost, the Series LZS Plastic Rotameter plays an irreplaceable role in measuring small to medium flow rates of corrosive media. It is especially suitable for industries with high requirements for installation convenience and safety. The appropriate type of flowmeter should be selected based on specific working conditions.

SPECIFICATIONS	
<b>Service</b>	Water or other compatible liquids
<b>Material</b>	Cone tube: AS; Float: ABS; Connection: PVC
<b>Accuracy</b>	±5%
<b>Temperature Rating</b>	0°C to 60°C
<b>Pressure Rating</b>	Less than 0.6MPa
<b>Connection</b>	Optional connections: socket and spigot joint, flange, external thread, internal thread, elbow joint
<b>Alarm output</b>	Optional alarm switch

## FEATURES

- The rotor floats with the fluid, no mechanical wear, low maintenance costs, and a long service life
- Alarm switch output is available
- Lightweight and cost-effective, it provides an economical flow measurement solution
- Installed vertically without requiring straight pipe sections
- The transparent pipe allows for direct observation of the fluid status and rotor position, facilitating easy reading
- No power supply is needed, making it suitable for explosion-proof applications or a location without electricity

## APPLICATIONS

- Petrochemical Industry
- Metallurgical Industry
- Textile Industry
- Pharmaceutical Industry
- Semiconductor Industry
- Food and Beverage Industry
- Paper and Pulp
- Power Plants
- Urban Water Supply and Drainage
- Environmental Protection
- New Energy Industry
- Shipbuilding Industry
- Scientific research institution

MODEL CHART				
<b>Example</b>	LZS	-15	-10L/h - 100L/h	-F
<b>Series</b>	LZS			Plastic Rotameter
<b>Model</b>		15		DN15, Please refer to the technical specification, outline dimension
		25		DN25, Please refer to the technical specification, outline dimension
		32		DN32, Please refer to the technical specification, outline dimension
		50		DN50, Please refer to the technical specification, outline dimension
		65		DN65, Please refer to the technical specification, outline dimension
		80		DN80, Please refer to the technical specification, outline dimension
		100		DN100, Please refer to the technical specification, outline dimension
		125		DN125, Please refer to the technical specification, outline dimension
<b>Range</b>			XXXXXXXX	Please select the flow range in the technical specification, for example, "10L/h - 100L/h"
				P Socket and spigot joint
<b>Connection</b>				M External Thread
				F Internal Thread
				W Elbow joint

## Specifications

DN (mm)	Model	Measuring range m³/h	Glue (id)	Male	Female	Elbow
15	LZS-15 flange is optional	10~100 L/h	Ø20	1/2"NPT 3/4"NPT	BSP 1/2"	BSP 1/2" NPT 1/2"
		16~160 L/h				
		25~250 L/h				
		40~400L/h				
		60~600 L/h				
100~1000 L/h						
25	LZS-25 flange is optional	0.1~1 0.16~1.6 0.25~2.5	Ø32	3/4"NPT	BSP 3/4" NPT 3/4"	BSP 3/4" NPT 3/4"
32	LZS-32 flange is optional	0.4~4 0.6~6	Ø40	1"NPT	BSP 1" NPT 1"	BSP 1" NPT 1"
50	LZS-50 flange is optional	0.4~4 0.6~6 1~10 1.6~16	Ø63	2"NPT	BSP 2" NPT 2"	BSP 2" NPT 2"
65	LZS-65 flange is optional	5~25 8~40 12~60	Ø75	/	NPT 2 1/2"	/
100	LZS-100 Uni flange	12~60 18~90 20~120	Ø110	Hole distance 180mm 8-ø18		
125	LZS-125 Uni flange	12~60 18~90	Ø110	Hole distance 210mm 8-ø18		
150	LZS-150 Uni flange	20~120 25~150 30~180	Ø110	Hole distance 240mm 8-ø22		

Note: LIS100/125/150 use Uni flange (DIN/JIS/ISO/ANSI/150)

## Uni flange size

DN (mm)	L4	C	n-φA
15	290	65	4-ø14
25	310	85	4-ø14
32	370	100	4-ø18
50	470	125	4-ø18
65	525	145	4-ø18
80	525	160	8-ø18
100	510	180	8-ø18
125	510	210	8-ø18
150	510	240	8-ø22

## Glue Size

DN (mm)	L1	L	B1	B2	D
15	221	171	20	26	53
25	227	171	32	39	59
32	288	224	40	50	72
50	377	290	63	73	98
65	425	325	75	89	120

## Male thread size

DN (mm)	L2	L	D
15	237	171	53
25	252	171	59
32	315	224	72
50	395	289	98

## Female thread size

DN (mm)	L3	L	D
15	215	171	53
25	225	171	59
32	288	224	72
50	400	290	98
65	425	325	120